

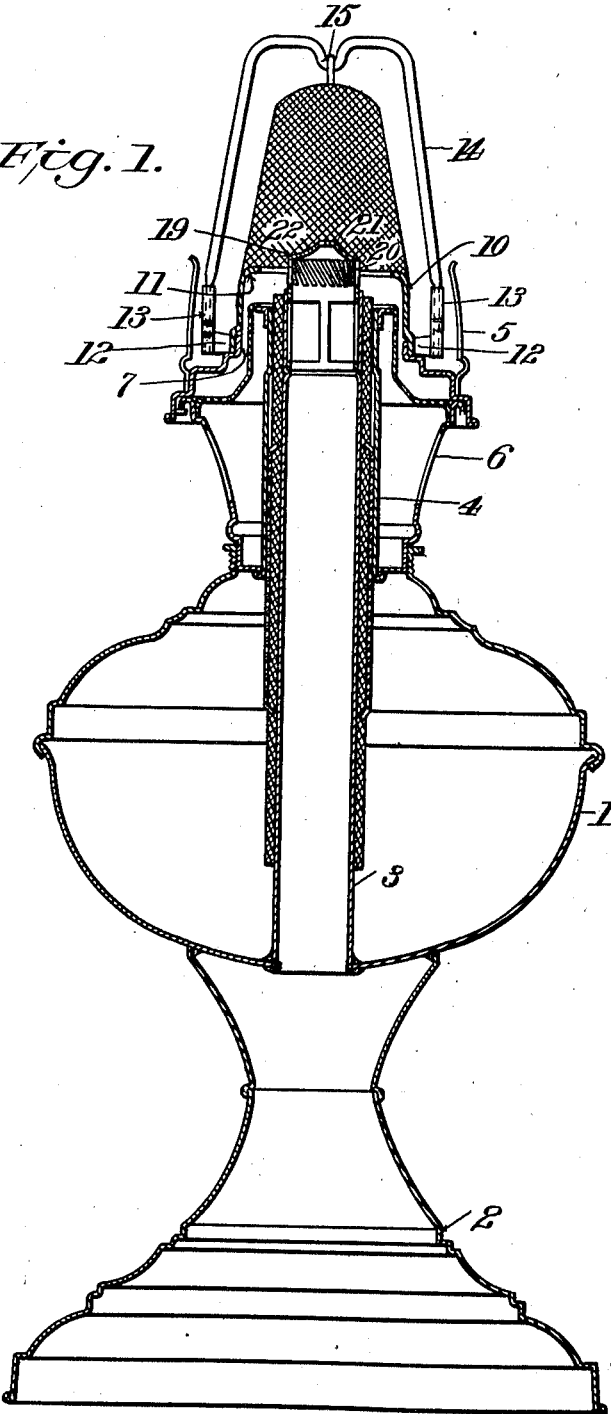
C. H. SMITH.  
 COMBINED MANTLE CAP AND BURNER CONE FOR INCANDESCENT VAPOR GAS LAMPS.  
 APPLICATION FILED JULY 8, 1910.

988,902.

Patented Apr. 4, 1911.

2 SHEETS—SHEET 1.

Fig. 1.



Witnesses

*C. H. Walker*  
*Ernest Nicholson*

Inventor

*Charles  
 H. Smith*

By

*Edson Bros,* Attorney S.