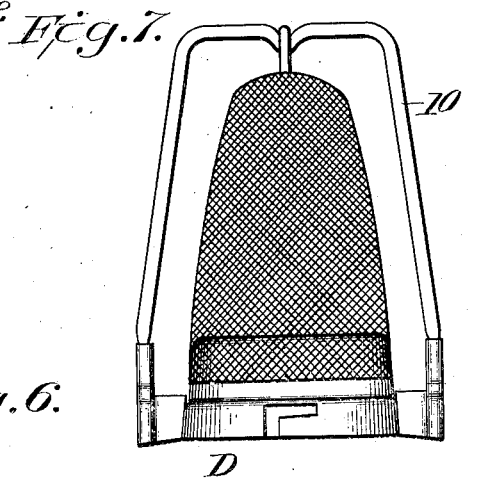
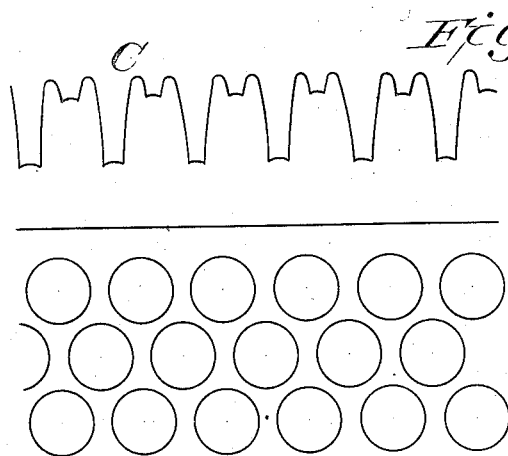
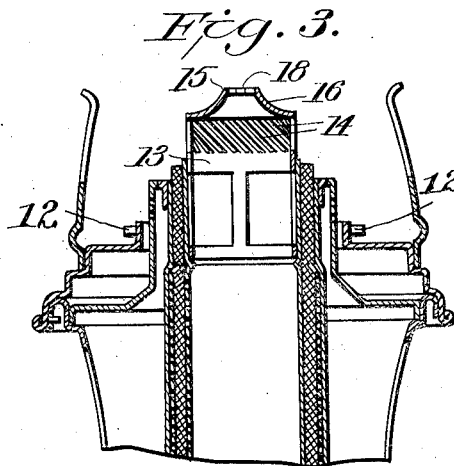
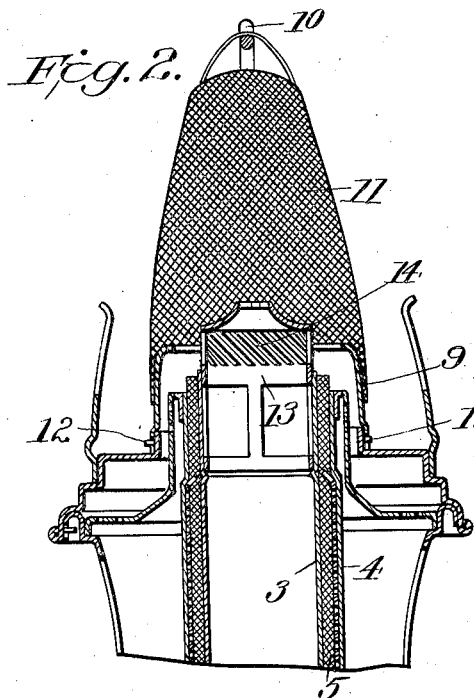


C. H. SMITH.
 BURNER FOR INCANDESCENT VAPOR GAS LAMPS.
 APPLICATION FILED JULY 8, 1910.

987,022.

Patented Mar. 14, 1911.

2 SHEETS—SHEET 2.



Witnesses
C. A. Walker
Ernest P. Hutchinson

Inventor
Charles Hagar Smith
 By *Edson Bros.* Attorneys