

C. H. SMITH.
 COMBINED MANTLE CAP AND BURNER CONE FOR INCANDESCENT VAPOR GAS LAMPS.
 APPLICATION FILED JULY 8, 1910.

988,902.

Patented Apr. 4, 1911.

2 SHEETS—SHEET 2.

Fig. 1.

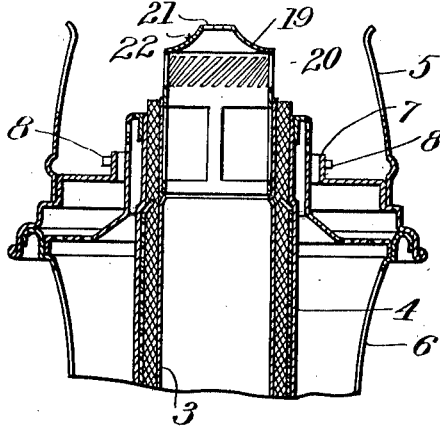


Fig. 4.

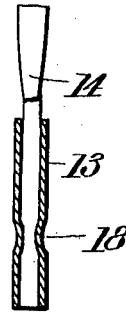


Fig. 3.

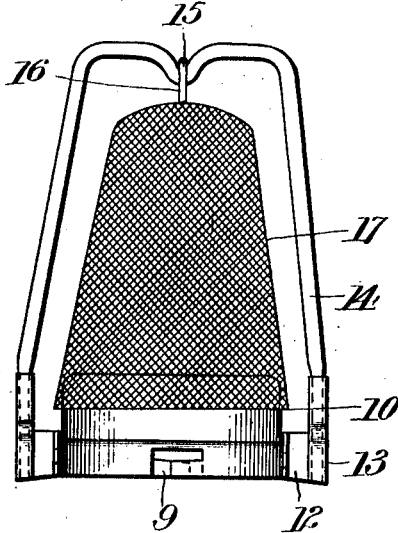
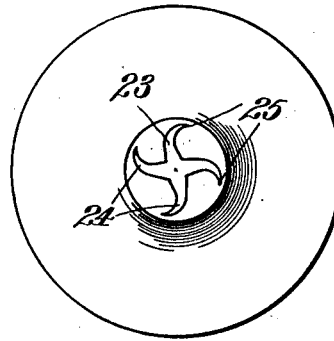


Fig. 5.



Inventor

Witnesses

C. H. Walker.
Ernest S. Hutchinson.

Charles Hazard Smith
 By *Edson Bros.* Attorneys.