

Jan. 21, 1930.

C. W. DAVIS

1,744,298

BLUE FLAME MANTLE LAMP

Filed July 25, 1927

5 Sheets-Sheet 1

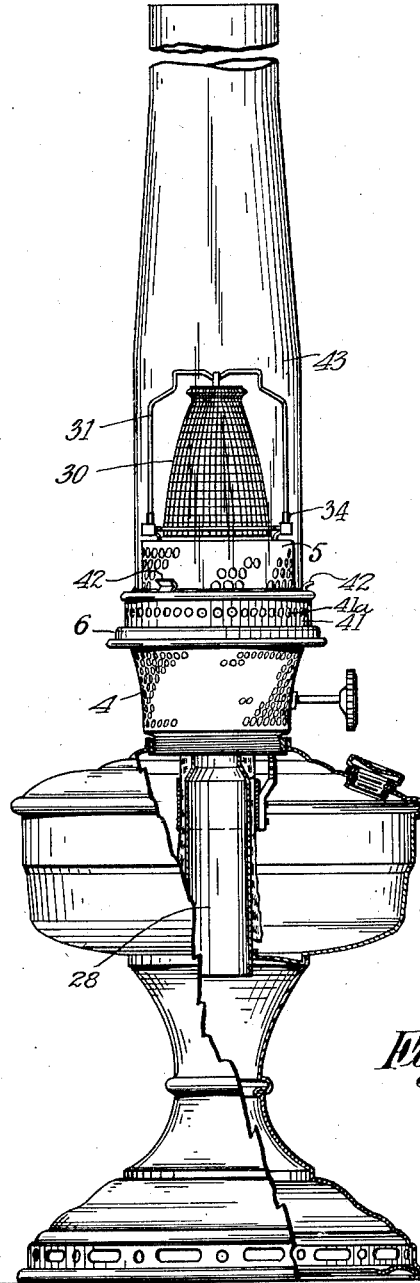


Fig. 1.

INVENTOR
Corlland W. Davis
BY
Thomas G. Steward,
ATTORNEY.