

Jan. 21, 1930.

C. W. DAVIS

1,744,298

BLUE FLAME MANTLE LAMP

Filed July 25, 1927

5 Sheets-Sheet 3

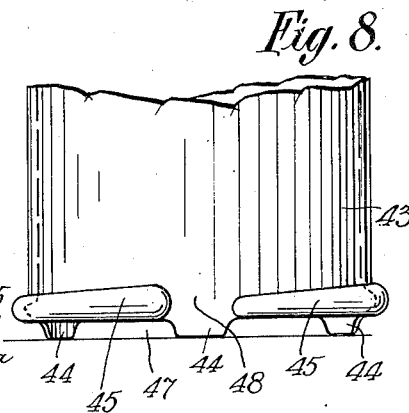
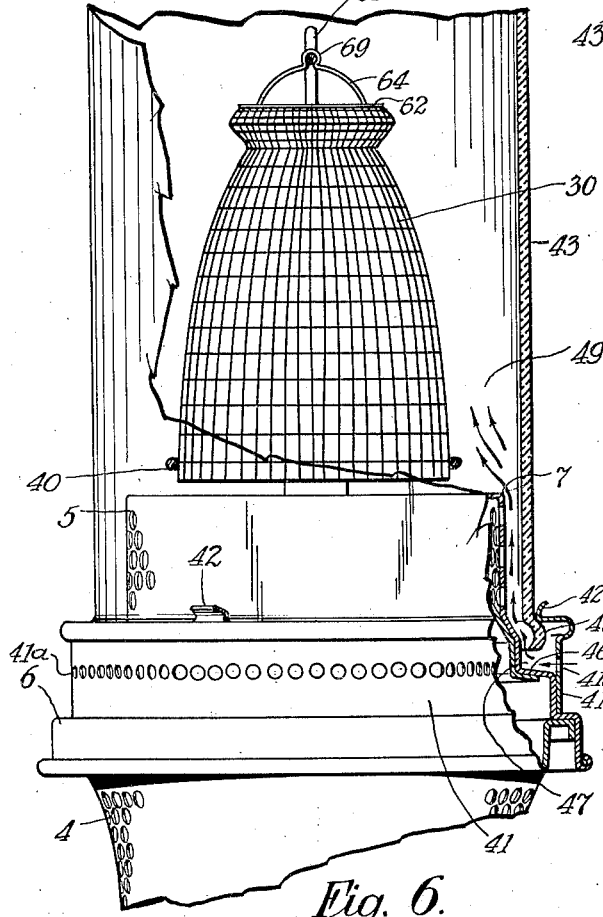
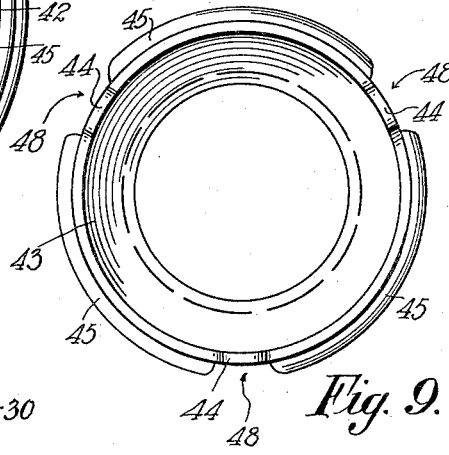
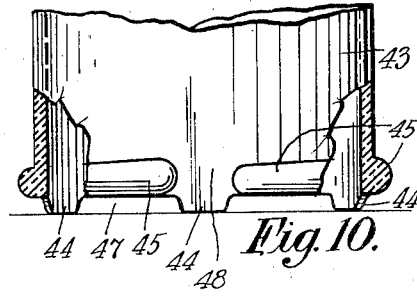
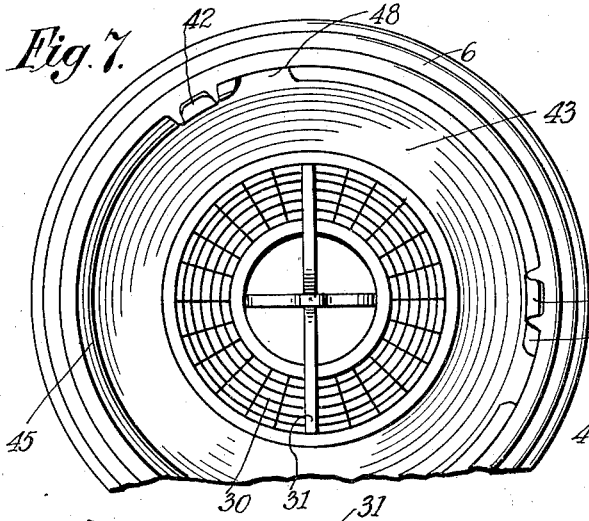


Fig. 6.

INVENTOR
Cortland W. Davis
BY
Thomas G. Steward
ATTORNEY.