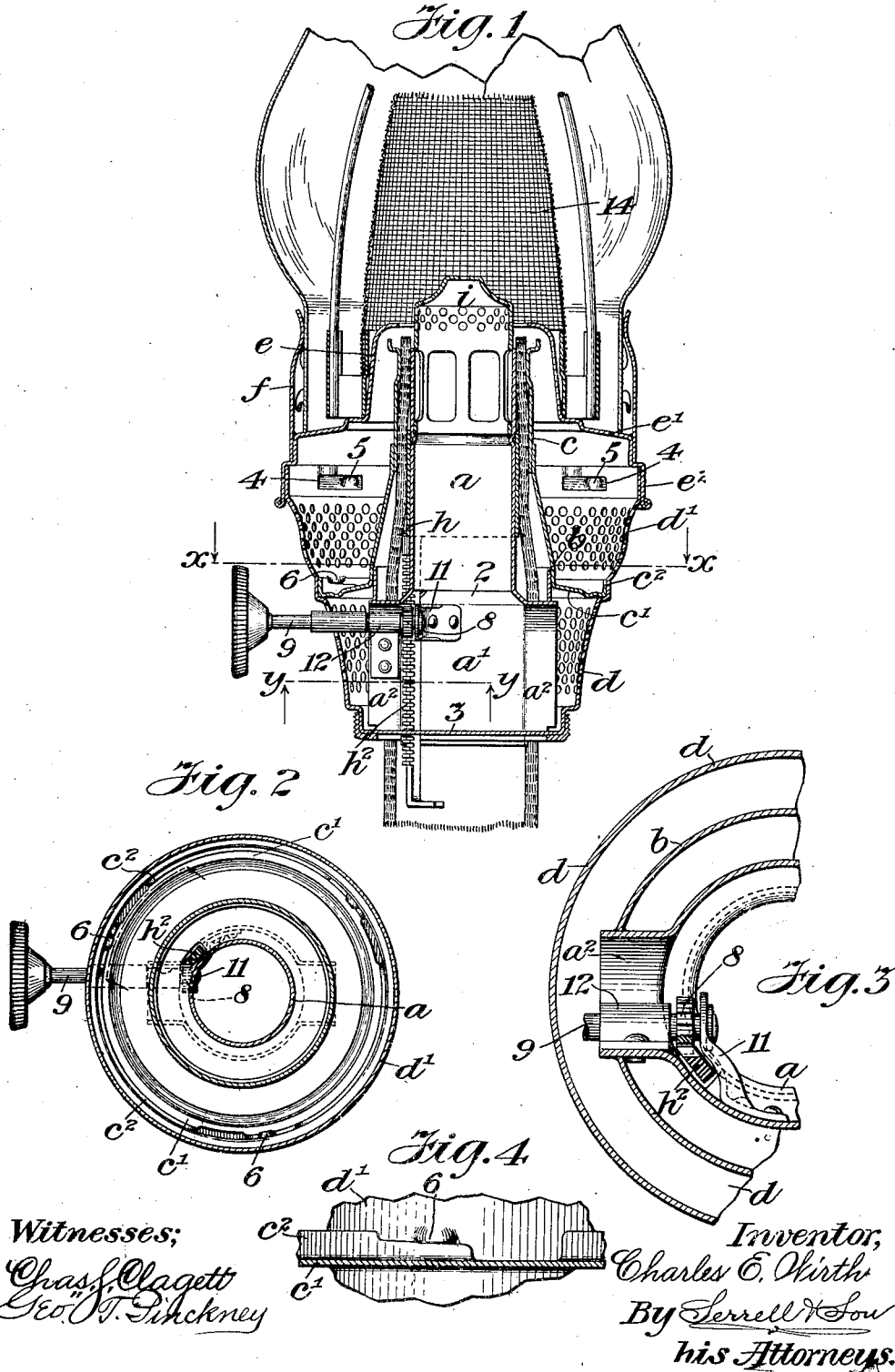


C. E. WIRTH.
LAMP BURNER.

APPLICATION FILED APR. 15, 1912.

1,044,961.

Patented Nov. 19, 1912.



Witnesses;
Chas. J. Claggett
Geo. T. Finckney

Inventor,
Charles E. Wirth
By Serrell & Sou
his Attorneys.